



# Pocono Pool Products

## GRECIAN LINER ORDER FORM

Company Name: \_\_\_\_\_

Cust. Name/PO#: \_\_\_\_\_

Address: \_\_\_\_\_

Hung (Beaded) - Bead Type: \_\_\_\_\_

City: \_\_\_\_\_ State: \_\_\_\_\_ Zip: \_\_\_\_\_

Overlap - Size of Overlap: \_\_\_\_\_

Phone: \_\_\_\_\_ Cell: \_\_\_\_\_

Liner Over Steps: YES or NO (Attach Step Orderform)

Fax: \_\_\_\_\_ Contact: \_\_\_\_\_

Cut-Out Steps: YES or NO (Show Location Below)

Liner Pattern: Tile/Wall: \_\_\_\_\_ (20 or 28 mil) Floor: \_\_\_\_\_ (20 or 28 mil)

**NOTES**

**STYLE OF BOTTOM**

STANDARD HOPPER

LEDGE HOPPER

WEDGE

SPORT BOTTOM

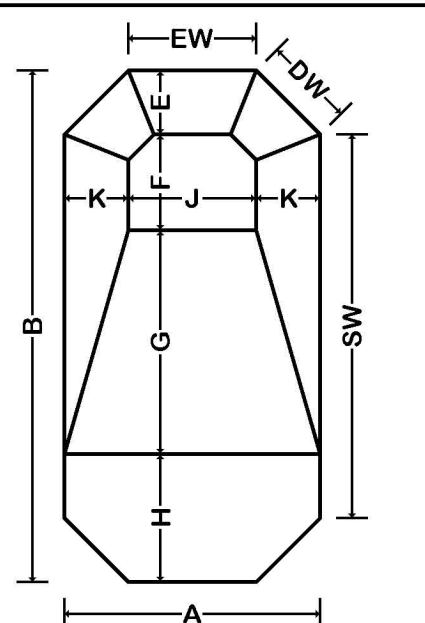
TRI-LEVEL HOPPER

STRAIGHT SLOPE

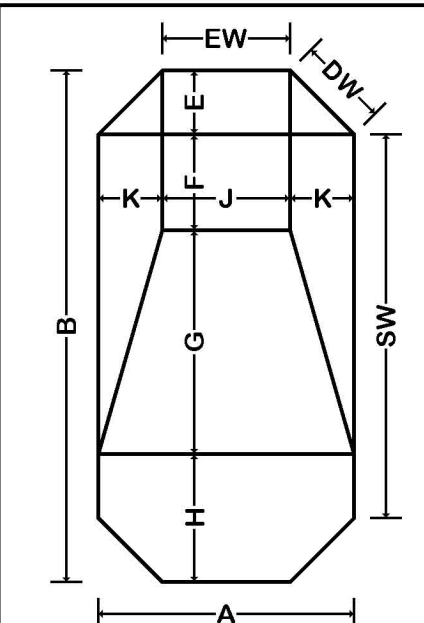
MODIFIED SLOPE

FLAT BOTTOM

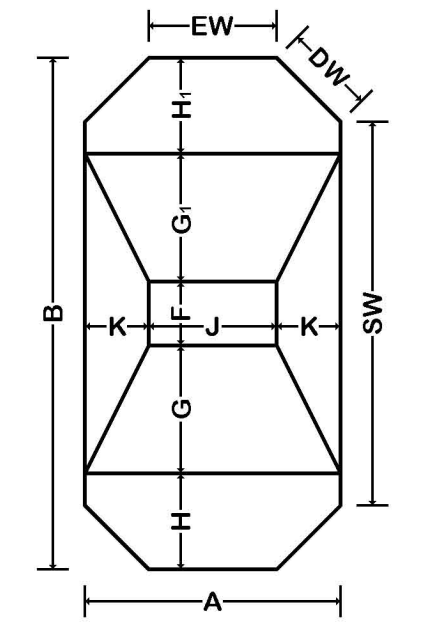
MODIFIED FLAT BOTTOM



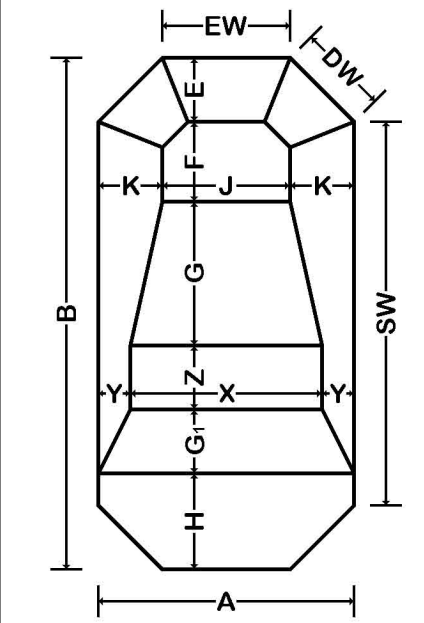
**STANDARD GRECIAN**   
w/ GRECIAN PAD



**STANDARD GRECIAN**   
w/ RECTANGULAR PAD



**SPORT GRECIAN**



**TRI-LEVEL GRECIAN**

A
B
C
D
E
F
G
H
J
K
L
A1
A2
B1
B2
C1
G1
H1
M
N
P
Q
S
T
W
X
Y
Z
DW
EW
SW