



Pocono Pool Products

ROMAN END LINER ORDER FORM

Company Name: _____ **Cust. Name/PO#:** _____
Address: _____ **Hung (Beaded) - Bead Type:** _____
City: _____ **State:** ____ **Zip:** _____ **Overlap - Size of Overlap:** _____
Phone: _____ **Cell:** _____ **Liner Over Steps: YES or NO** (Attach Step Orderform)
Fax: _____ **Contact:** _____ **Cut-Out Steps: YES or NO** (Show Location Below)

Liner Pattern: Tile/Wall: _____ (20 or 28 mil) **Floor:** _____ (20 or 28 mil)

CORNERS
(POOL WALL - NOT COPING)

SQUARE **DIAGONAL** **RADIUS**

D_1 or $R =$ _____

STYLE OF BOTTOM

STANDARD HOPPER

LEDGE HOPPER

WEDGE

SPORT BOTTOM

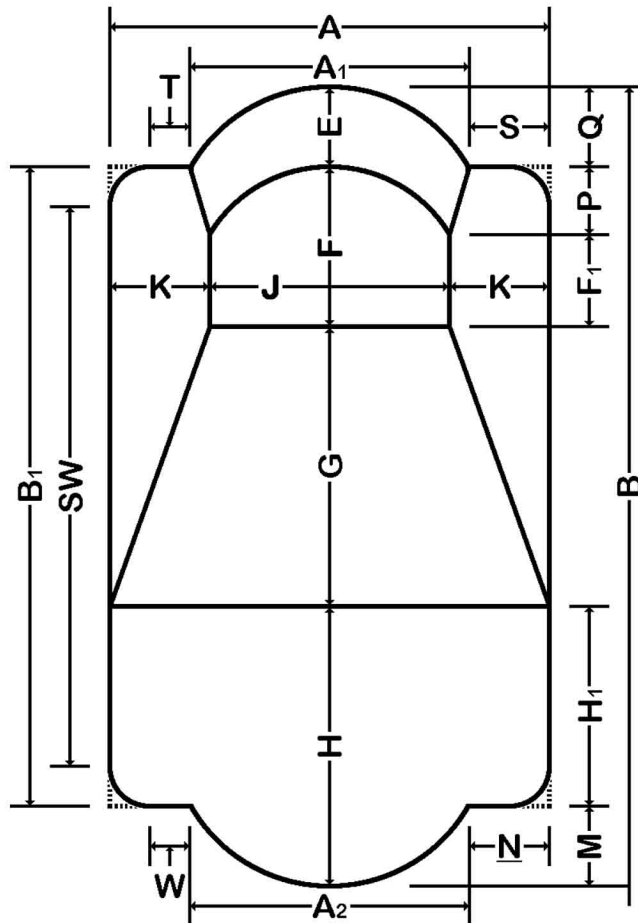
TRI-LEVEL HOPPER

STRAIGHT SLOPE

MODIFIED SLOPE

FLAT BOTTOM

MODIFIED FLAT BOTTOM



A	
B	
C	
D	
E	
F	
G	
H	
J	
K	
L	
A ₁	
A ₂	
B ₁	
B ₂	
C ₁	
G ₁	
H ₁	
M	
N	
P	
Q	
S	
T	
W	
X	
Y	
Z	
DW	
EW	
SW	

ROMAN END